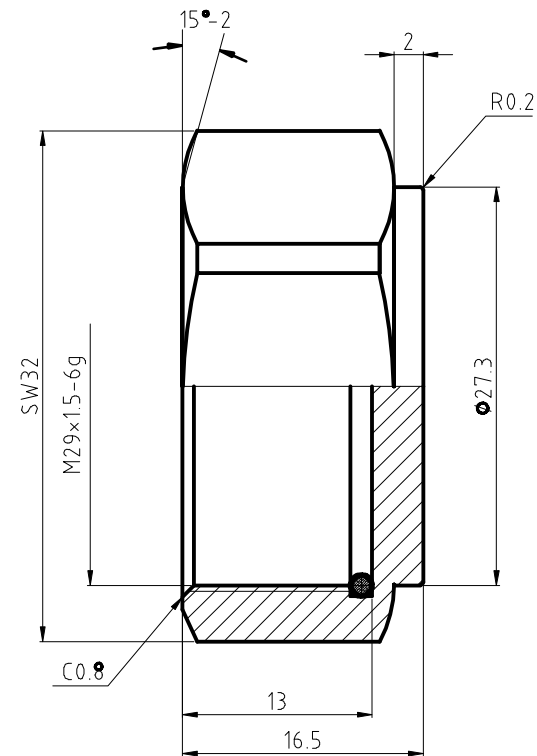


Numbering		LTR	PLACE	REVISION	DATE	NAME



NOET :

1. Material and Finish

Body : Brass / Nickel


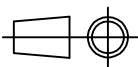
Coupling Nut : Brass / Nickel

O-Ring : Silicone-rubber

2. Environmental data

Operating Temperature : -45 ~ 120 °C

2002/95/EC (RoHS) : Compliant

DESIGNEDBY		Product name	Connector	 Shenzhen Superbat Electronics Co., Ltd.					
DRAWNBY		Product number							
CHECKEDBY		Connector Series	7/16 Dust Cap	Scale	4:1	Quantity	1	unit	mm
FEAS.APV.BY		material		View		REV.	A	1/1	
APPROVEDBY		Adapter cable							