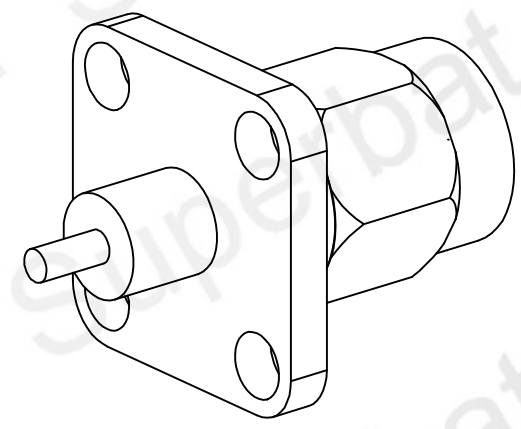
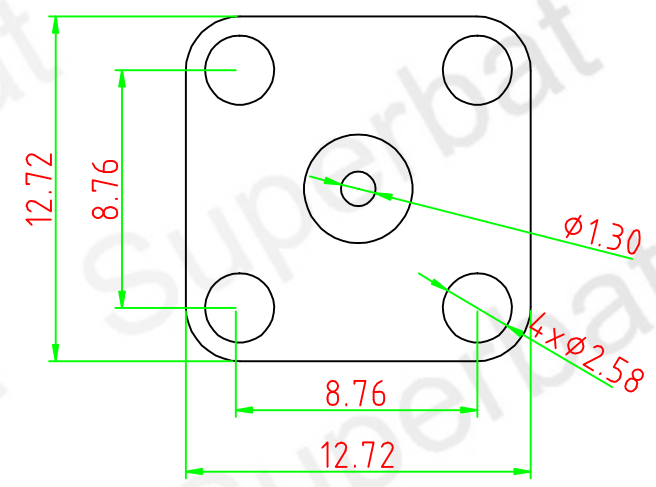



SECTION A—A



| | | | | | |
|---|--------|----------------|------------------|-----------------|----------------|
| Draw up | Verify | Scale 1:1 | Filename | Date 2011/03/04 | Unit:MM |
| Email:Paypal@rfsupplier.com | | | S02-FPHL4-11BS01 | | |
| Company Website: www.rfsupplier.com | | TEL | 8613923809471 | Drawing | Qinxianfeng |
|  Shenzhen Superbat Electronics Co.,Ltd | | A module cable | | Page1 | Open up 1/1 |