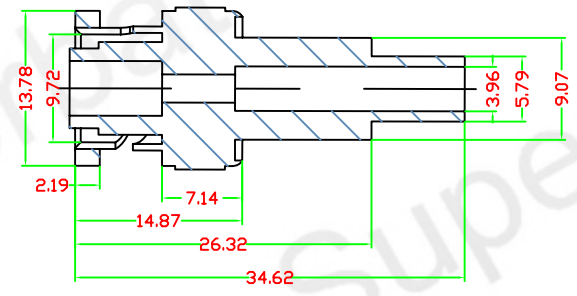
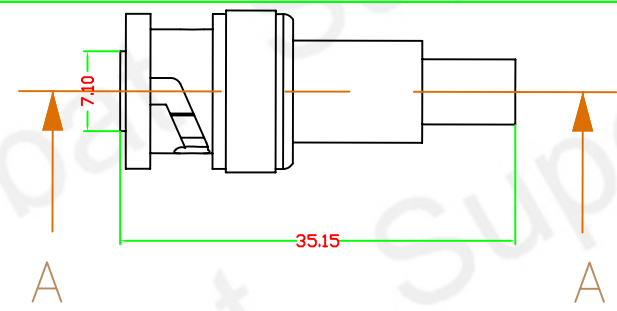


SECTION B — B



SECTION A — A